

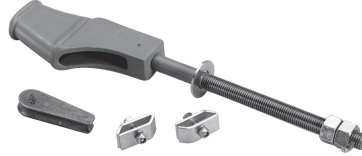
WIRE ROPE WEDGE SOCKETS, SPRINGS, BUSHINGS

Wire rope wedge sockets assembly and governor rope wedge sockets assembly; wedge socket springs and bushings; wedge socket replacement rods, wedges, clips, nuts, cotter pins – in stock and ready for the same day shipping. Other sizes are available upon request.

Wire Rope Wedge Sockets Assembly

Replace old babbit sockets and have ease of installation - save time, avoid fires, be safer and avoid bad babbit pours. Save labor costs on babbit and resin socketing. It's less costly to throw away your old babbit sockets when you're roping or when you have to take the "stretch" out of your cable it can be done in a fraction of the time.

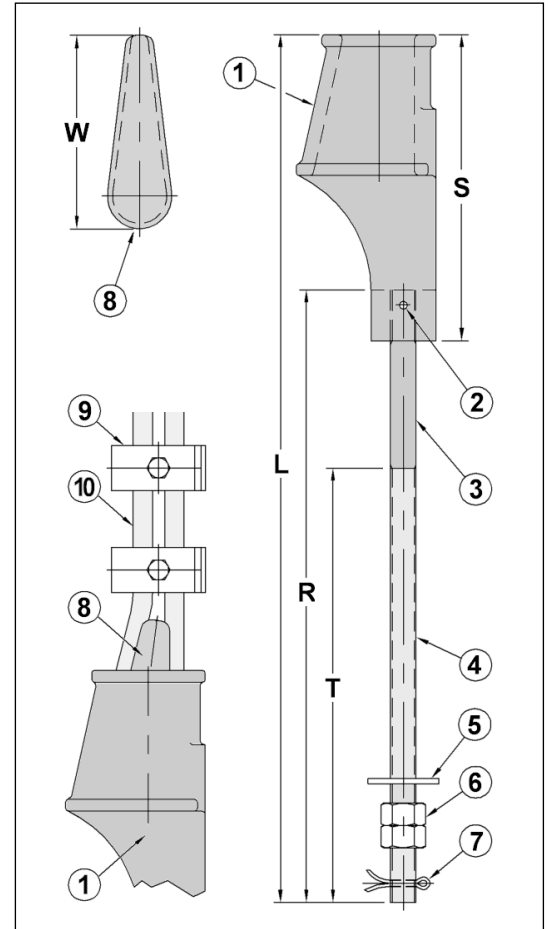
- Easy installation and adjustment
- Includes:
Socket, Wedge, Cotter Pin,
Rod assembled with Roll Pin, Washer,
two (2) Nuts, and two (2) Wire Clips



Rope Size	Wedge Socket Model	Rod Length (R)	Overall Length (L)	Socket Length (S)	Wedge Length (W) Color	Rod Dia. Nut Size
3/8" (10mm) 7/16" (11mm)	WS3812	12"	17"	6.0"	3.74" Black	1/2" * 1/2-13
	WS3818	18"	23"			
	WS3824	24"	29"			
1/2" (13mm)	WS1212	12"	18.25"	7.5"	4.0" Blue	3/4" * 3/4-10
	WS1218	18"	24.25"			
	WS1224	24"	30.25"			
	WS1230	30"	36.25"			
	WS1236	36"	42.25"			
	WS1242	42"	48.25"			
9/16" (14mm) 5/8" (16mm)	WS5812	12"	18.25"	7.5"	4.7" Red	3/4" * 3/4-10
	WS5818	18"	24.25"			
	WS5824	24"	30.25"			
	WS5830	30"	36.25"			
	WS5836	36"	42.25"			
11/16" (17.5mm) 3/4" (19mm)	WS3418	18"	25.5"	9.0"	5.51" Yellow	7/8" ** 7/8-9
	WS3424	24"	31.5"			
	WS3430	30"	37.5"			
	WS3436	36"	43.5"			
	WS3442	42"	49.5"			

Thread Length (T) for Wedge Sockets shown is 9.0".

* Wedge sockets tested for extra high tensile strength of 31,600 Lb. on 6 x 19 rope. Approved in all fifty states as well as the cities of Los Angeles, Chicago, and New York.
** Wedge sockets tested for extra high tensile strength of 45,200 Lb. on 6 x 19 extra-strength traction steel rope. Meeting and exceeding ANSI A17.1 Rule 212 and Canadian B44 codes. Designed for heavy freight elevators, high-speed gearless, as well as for use with compensatory ropes.



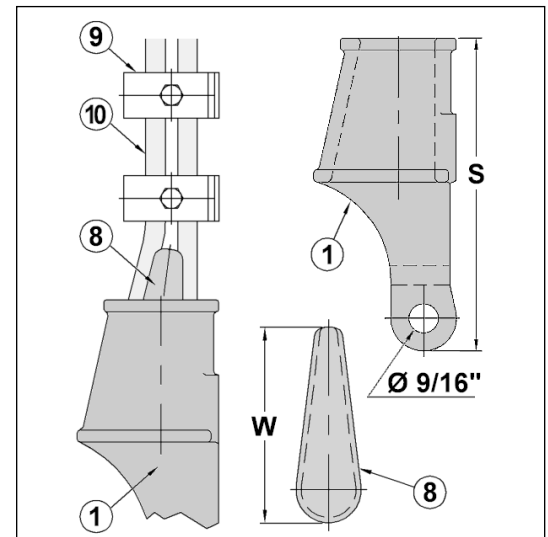
- 1 - Socket
- 2 - Roll Pin
- 3 - Rod
- 4 - Threads
- 5 - Washer
- 6 - Nut
- 7 - Cotter Pin
- 8 - Wedge
- 9 - Wire Clip
- 10 - Wire Rope
- L - Overall Length
- R - Rod Length
- T - Thread Length
- S - Socket Length
- W - Wedge

Governor Rope Wedge Sockets Assembly

- Easy installation and adjustment
- Includes:
Socket, Wedge,
and two (2) Wire Clips

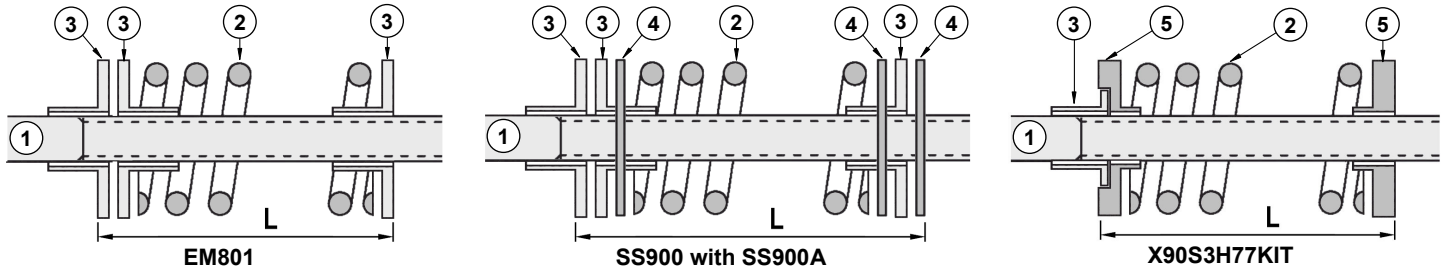


Size	Governor Socket Model	Socket Length (S)	Wedge Length (W)	Wedge Color
3/8" 10mm)	WS38GOV	6"	3.74"	Black
7/16" (11mm) 1/2" (13mm)	WS12GOV	7-15/32"	4.0"	Blue
9/16" (14mm) 5/8" (16mm)	WS58GOV	7-15/32"	4.7"	Red



Wedge Socket - Replacement Springs and Bushings

1 - Wedge Socket Rod, 2 - Spring, 3 - Plastic Bushing, 4 - Metal Washer, 5 - Metal Bushing



Rope Size	Model	Description	Notes
3/8" (10mm)	EM801	Kit: 1 spring, 3 plastic bushings	Spring: 1.2"ID, 1.9"OD, 3.7"H Spring with bushing kit: 4.1"L
7/16" (11mm) 1/2" (13mm)	SS900	Spring	Spring: 1.2"ID, 1.9"OD, 5"H Spring with bushing kit: 5.8"L
9/16" (14mm) 5/8" (16mm)	SS1000	Spring	Spring: 1.1"ID, 2.1"OD, 4.8"H Spring with bushing kit: 5.6"L
11/16" (17.5mm) 3/4" (19mm)	X90S3H77KIT	Kit: 1 spring, 1 plastic bushing, and 2 metal bushings	Spring: 1.8"ID, 3.3"OD, 7"H Spring with bushing kit: 8"L
	SS900A	Bushing kit: 3 plastic bushing, and 3 metal washers	Use with SS900, SS1000 springs, adds 0.8" to spring H

Wedge Socket - Replacement Rods

- Includes: Socket, Rod assembled with Roll Pin, two (2) Nuts, Washer, and Cotter Pin
- Wedge and Wire Clips are not included



Rope Size	Socket Rod Model	Rod Length (R)	Overall Length (L)	Socket Length (S)	Thread Length (T)	Wedge Color, Length (W)	Rod Dia. Nut Size
1/2" (13mm) 9/16" (14mm) 5/8" (16mm)	WS12R	12"	18.25"	7.5"	9.0"	Blue, 4.0" Red, 4.7"	3/4" 3/4-10
	WS18R	18"	24.25"				
	WS24R	24"	30.25"				
	WS30R	30"	36.25"				
	WS36R	36"	42.25"				
	WS42R	42"	48.25"				

Wedge Socket - Replacement Wedges



Rope Size	Model	Wedge Length (W)	Wedge Color	Use with Model
3/8" (10mm)	WS38	3.74"	Black	WS38xx
7/16" (11mm), 1/2" (13mm)	WS12	4.0"	Blue	WS12xx, WSxxR
9/16" (14mm), 5/8" (16mm)	WS58	4.7"	Red	WS58xx, WSxxR
11/16" (17.5mm), 3/4" (19mm)	WS34	5.51"	Yellow	WS34xx

Wedge Socket - Replacement Clips, Nuts, Cotter Pins



Rope Size	Model	Use with Model
3/8" (10mm)	CLIP38	WS38xx
7/16" (11mm), 1/2" (13mm) 9/16" (14mm), 5/8" (16mm)	CLIP	WS12xx, WS58xx WSxxR
11/16" (17.5mm), 3/4" (19mm)	CLIP34	WS34xx



Model	Description
WS-NUT	Nut, 3/4-10, UNC grade 8, zinc plated
WS-CLIP	Cotter Pin, 3/16 x 1.5"L, zinc plated

QUALITY ELEVATOR PRODUCTS, INC.