



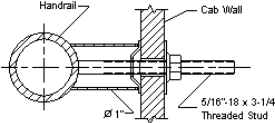
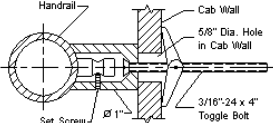




# QUALITY ELEVATOR PRODUCTS, INC.

## ROUND HANDRAIL WORKSHEET AND QUOTE FORM

Name: _____	Quote/PO: _____
E-mail: _____	Phone: _____
Company: _____	Date: _____
Address: _____	

### Info

 <b>Stainless steel</b>	 <b>Bronze (brass)</b>	 <b>Standard spacer</b>	 <b>Removable spacer</b>	 <b>Toggle bolt</b>	 <b>SnapToggle bolt</b>
--	--	---	---	---	---

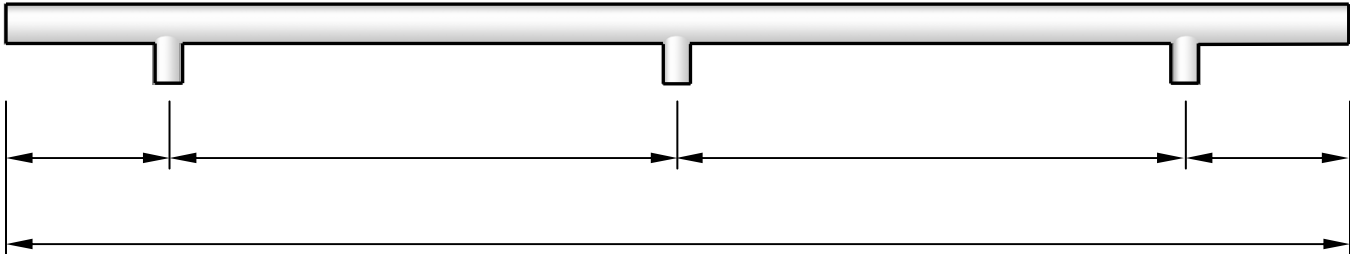
Round handrails are made of 1-1/2" stainless steel or bronze tubing, with #4 brushed or #8 polished finish. Standard handrails come with 5/16"-18 x 3-1/4" L studs, standard spacers, spacer washers, and required access to back side of cab wall for installation. Removable handrails are designed for installation from inside the cab, and use spacers with set screw. Toggle bolts recommended, can be purchased separately. All spacers, normally one spacer for every 2 feet of handrail, located per customer requirements. Please choose desired options and dimensions on drawing below or choose **different handrail worksheet**.

**Note:** Custom made orders are non-returnable. Please recheck before submitting.

### Data

<b>Material / Finish</b> Stainless steel <input type="checkbox"/> Brushed <input type="checkbox"/> Polished Bronze (brass) <input type="checkbox"/> Brushed <input type="checkbox"/> Polished	<b>Spacers</b> <input type="checkbox"/> Standard, 1-1/2"L x 1"Dia. <input type="checkbox"/> Removable, 1-1/2"L x 1"Dia. <input type="checkbox"/> Removable, 2-1/2"L x 1"Dia.	<b>Bolts quantity</b> _____ Toggle, 3/16"-24 x 4"L _____ Toggle, 1/4"-20 x 4"L _____ SnapToggle, 1/4"-20 x 3-5/8"L
---	---	---

**Handrails quantity:** \_\_\_\_\_



### Notes

---



---



---

RDHRWS35051215

Please fill out the form and e-mail it to [sales@qualityelev.com](mailto:sales@qualityelev.com) or fax it to 847-581-0095.

© Quality Elevator Products, Inc. • 800-222-3688 • 7760 N. Merrimac Ave. Niles, IL 60714 • [www.qualityelev.com](http://www.qualityelev.com)