



RECTANGULAR HANDRAIL WORKSHEET AND QUOTE FORM


Name: _____ Quote/PO: _____

E-mail: _____ Phone: _____


Company: _____ Date: _____

Address: _____

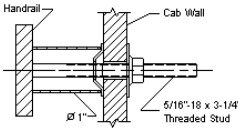
Info



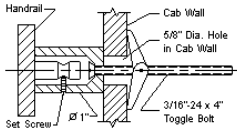
Stainless steel




Bronze (brass)



Standard spacer



Removable spacer



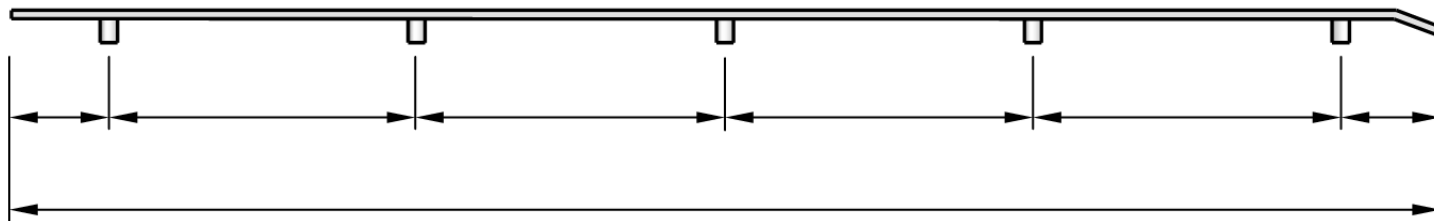
Toggle bolt SnapToggle bolt

Rectangular handrails are made of stainless steel or bronze solid bar stock, stainless steel tubing aluminum filled at the ends and available with #4 brushed or #8 polished finish. Standard handrails come with 5/16"-18 x 3-1/4"L studs, standard spacers, spacer washers, and required access to back side of cab wall for installation. Removable handrails are designed for installation from inside the cab, and use spacers with set screw. Toggle bolts recommended, can be purchased separately. All spacers, normally one spacer for every 2 feet of handrail, located per customer requirements. Please choose desired options and dimensions on drawing below or choose **different handrail worksheet**.

Note: Custom-made orders are non-returnable. Please recheck before submitting.

Data

<p>Material / Finish</p> <p>1/4" x 1 1/2" S/steel <input type="checkbox"/> Brushed <input type="checkbox"/> Polished</p> <p>3/8" x 2" S/steel <input type="checkbox"/> Brushed <input type="checkbox"/> Polished</p> <p>3/8" x 2" Bronze <input type="checkbox"/> Brushed <input type="checkbox"/> Polished</p> <p>3/8" x 2" S/steel/aluminum <input type="checkbox"/> Brushed</p>	<p>Spacers</p> <p><input type="checkbox"/> Standard, 1-1/2"L x 1"Dia.</p> <p><input type="checkbox"/> Removable, 1-1/2"L x 1"Dia.</p> <p><input type="checkbox"/> Removable, 2-1/2"L x 1"Dia.</p> <p>Handrails quantity: _____</p>	<p>Bolts quantity</p> <p>_____ Toggle, 3/16"-24 x 4"L</p> <p>_____ Toggle, 1/4"-20 x 4"L</p> <p>_____ SnapToggle, 1/4"-20 x 3-5/8"L</p>
---	--	--



Notes
